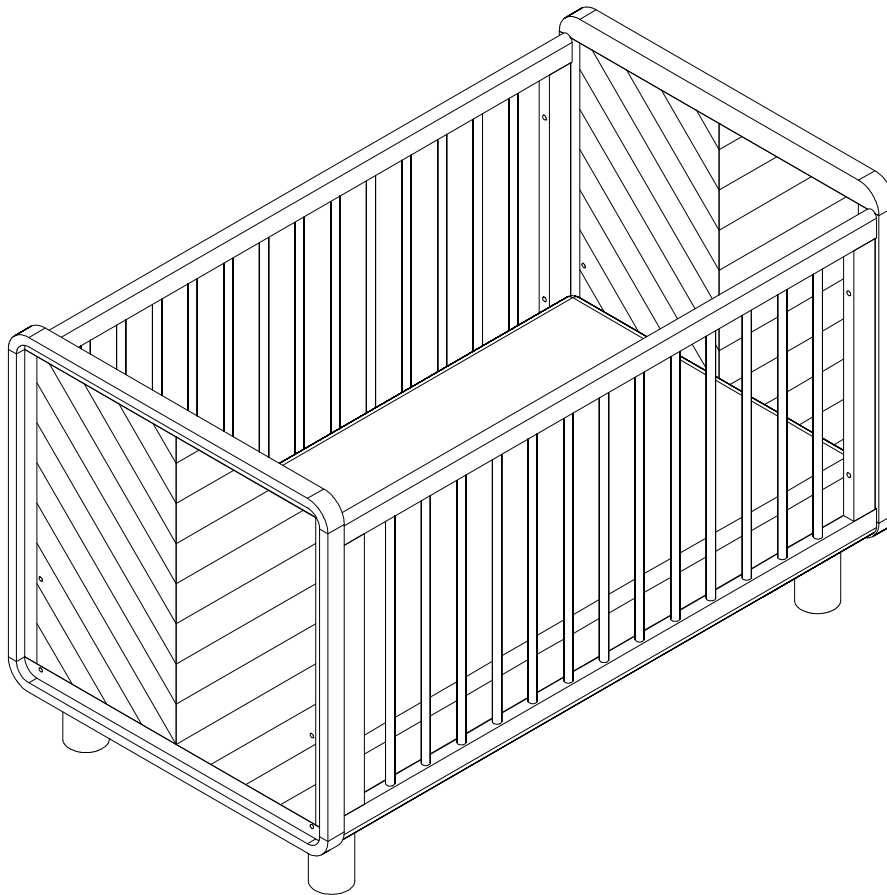


Bookleaf cot

Assembly Instruction



Care & Cleaning Tips:

For general dusting / cleaning - periodically wipe the cot with a dry soft cloth. To remove day to day spills or dirt, wipe down with a soft cloth and mild solution of warm soapy water. Avoid scourers and steel wool as these will damage the finish. Always dry the cot after cleaning.



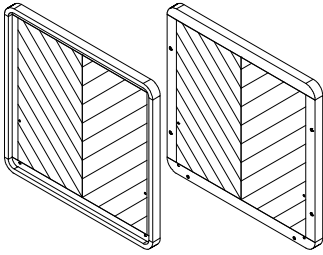
Packaging and instructions
printed on recycled materials

Save the instructions for future reference.
Assembly of this furniture is best undertaken by two people.

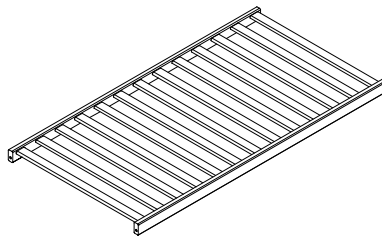
Tasman Eco Pty Ltd abn. 58 106 988 578 e. services@tasmaneco.com.au p.o.
4-6 Merr yvale Rd, Minto, NSW 2566 box 5878 Minto, DC, NSW 2566
t. 02 9603 5000 f. 02 9603 7000 www.tasmaneco.com.au

Parts List

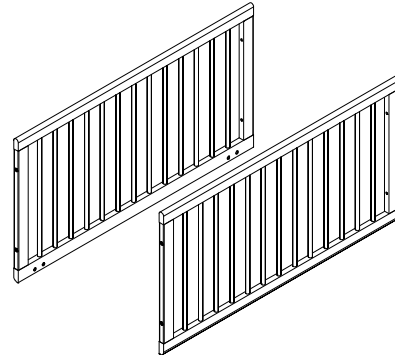
Headboard x 2



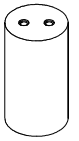
Base x 1



Side panel x 2

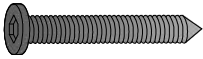


Leg x 4

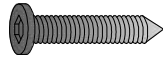


Hardware checklist

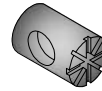
M6 x 70mm Bolt x 8



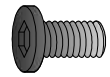
M6 x 60mm Bolt x 4



M6 x 22mm Metal cross dowel x 4



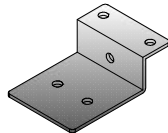
M6 x 15mm Bolt x 24



M6 x 15mm Cap screw x 4



Bracket x 4



Allen key x 2



Due to the heavy nature of the cot, it is recommended assembly is undertaken by two people. To avoid damage the cot, please use provided allen key and screw driver only when you are assembling.

Warning

Safety Consideration for your Child.

- Follow the manufacturer's assembly instructions in detail to ensure the safety features of the cot are not compromised.
- ENSURE THE COT IS NOT PLACED TOO CLOSE TO HEATERS, BLINDS, CURTAINS, WINDOWS OR POWER POINTS.
- DO NOT HANG ANYTHING NEARBY WHERE THERE IS A POTENTIAL DANGER OF THE ITEM FALLING INTO THE COT.
- KEEP ANY MEDICATION, STRING, ELASTIC, SMALL TOYS OR SMALL ITEMS SUCH AS MONEY OUT OF REACH FROM ANY POSITION IN THE COT. It is advisable to keep all items out of your child's cot to prevent suffocation or strangulation.
- TO PREVENT FALLS, THE BASE OF THE COT SHOULD BE ADJUSTED TO THE LOWEST POSITION BEFORE YOUR CHILD CAN SIT UP.
- WHEN CONVERTING THE COT TO A JUNIOR BED, THE SIDE RAILS SHOULD BE INSTALLED TO PREVENT FALLS.

Recommended Mattress Size.

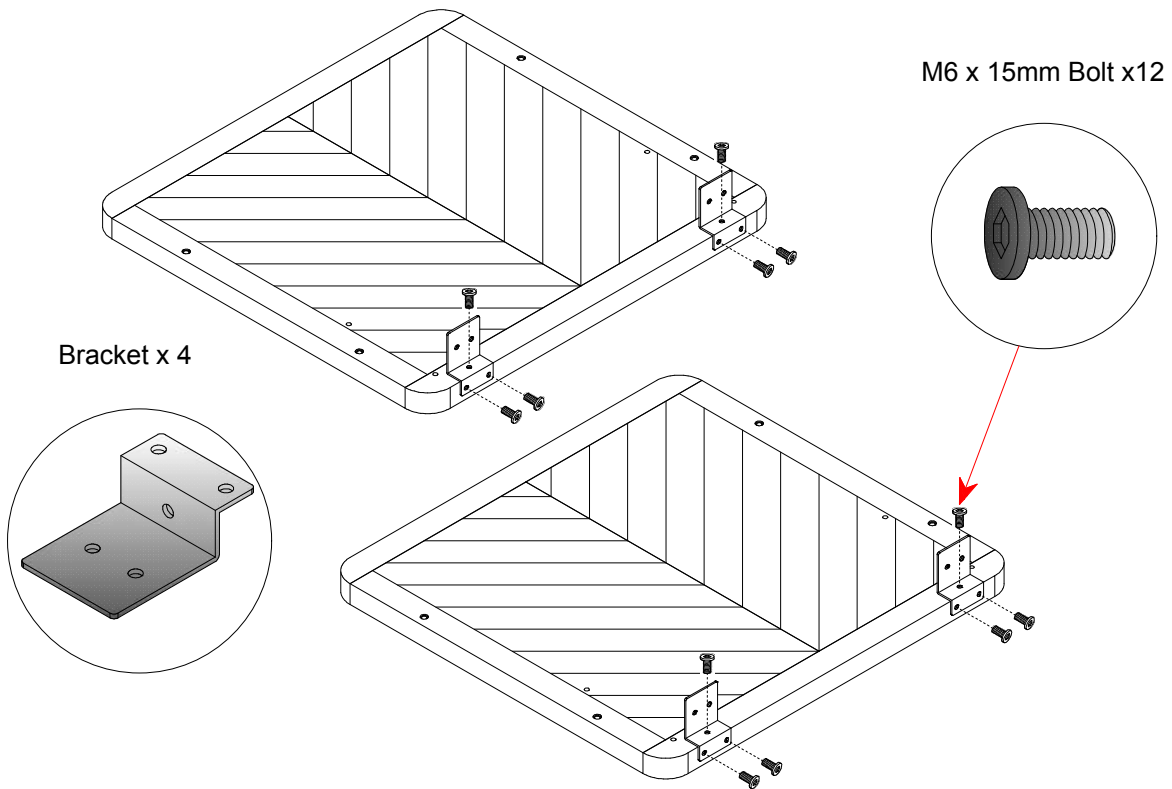
- This cot has been manufactured for use with a mattress which measures 690 mm wide x 1300 mm long x 120 mm thickness (Max thickness is 120mm). The width and length are specified because it is IMPORTANT that the gaps between the mattress and sides and ends of the cot do not exceed 40 mm when the mattress is pushed to one side or end, and 20mm when the mattress is centred in the cot. This is to minimise the risk of a child's limb becoming caught in the gap. The thickness of the mattress had been specified to ensure that the depth of the cot is greater than 500mm with the mattress base in the lower position to minimise the risk of a child climbing or falling out of the cot .

Safety Consideration for Cot.

- Re-tighten all connector bolts (at least two months after assembling the cot), as some may loosen as the cot settles. Regularly check all of the connecting bolts, making sure they are tight.
- Regularly check cot for weakness in panels joints and panels. If any weaknesses are found, report immediately to Tasman Eco via: www.tasmaneco.com.au
- Do not use cot if it has been damaged in any way and always use genuine Tasman Eco parts. Contact your nearest Tasman Eco stockist or original place of purchase for spare parts.

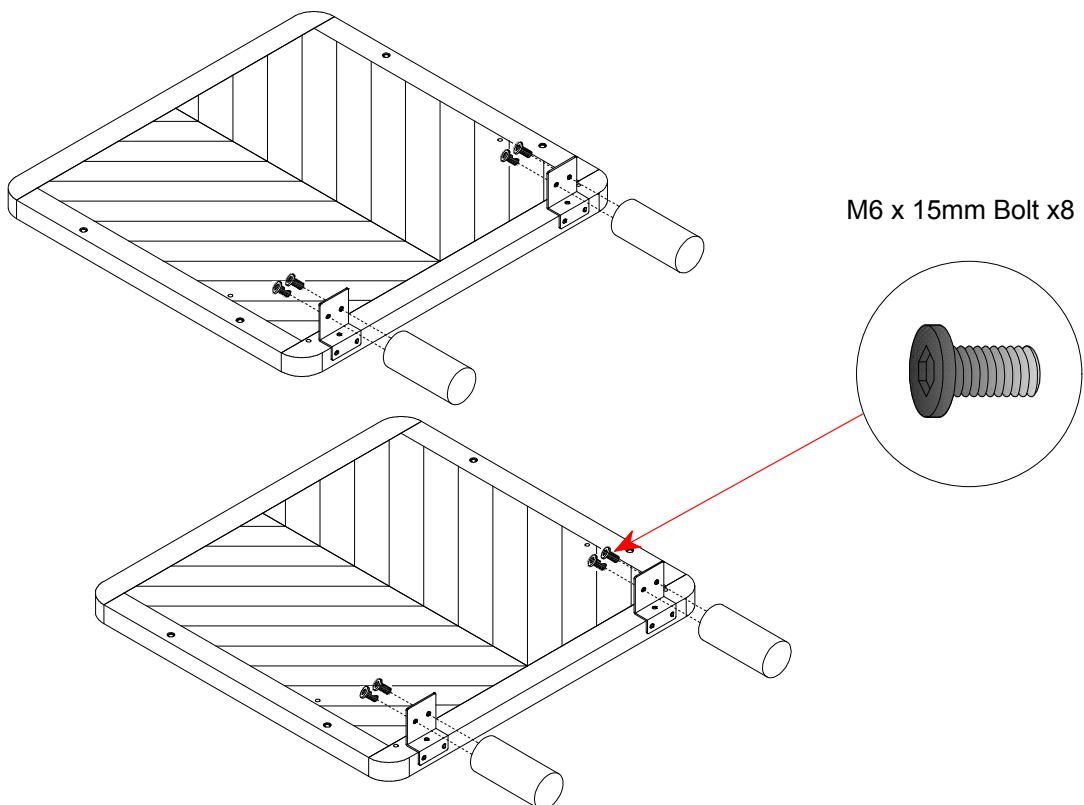
1

Attach the brackets on the headboard secure with M6 x15mm bolts.

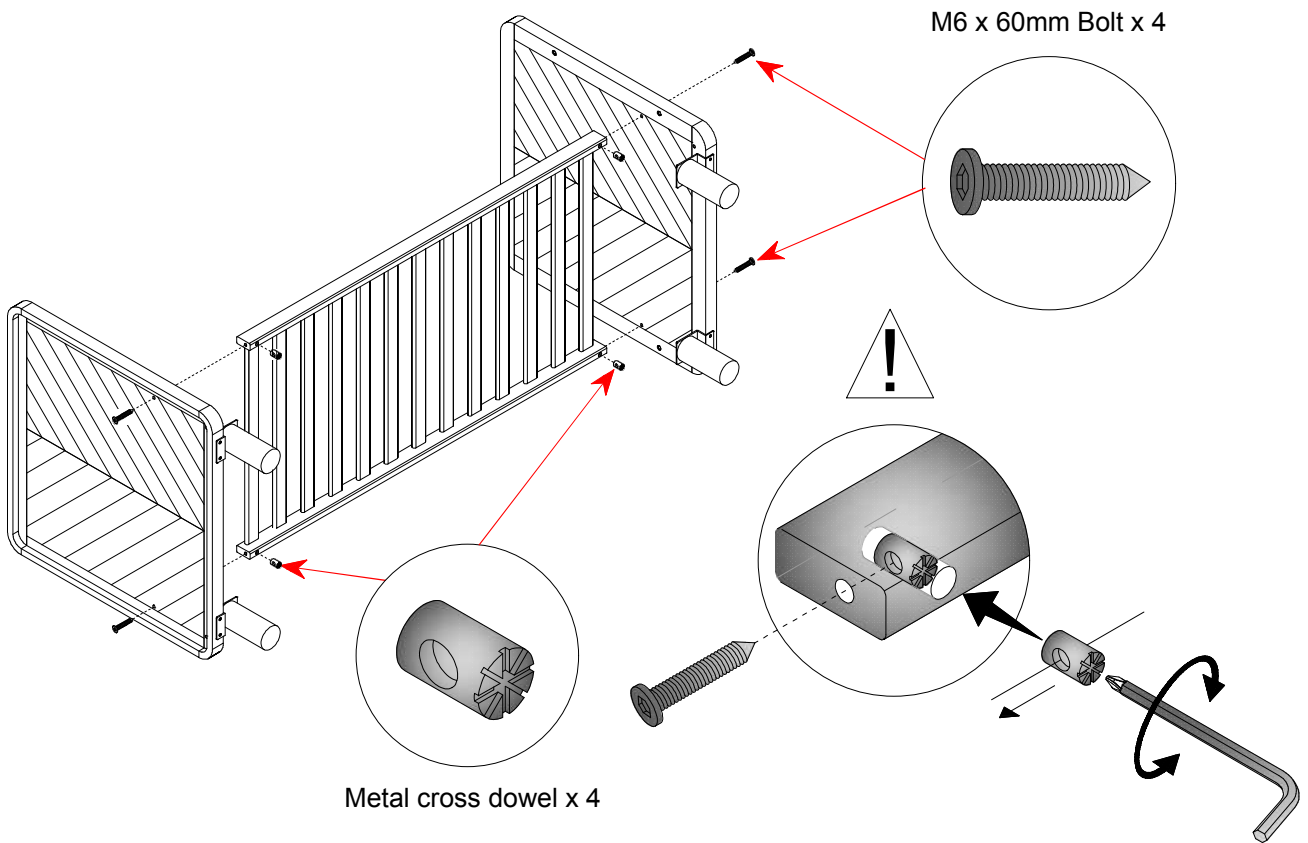


2

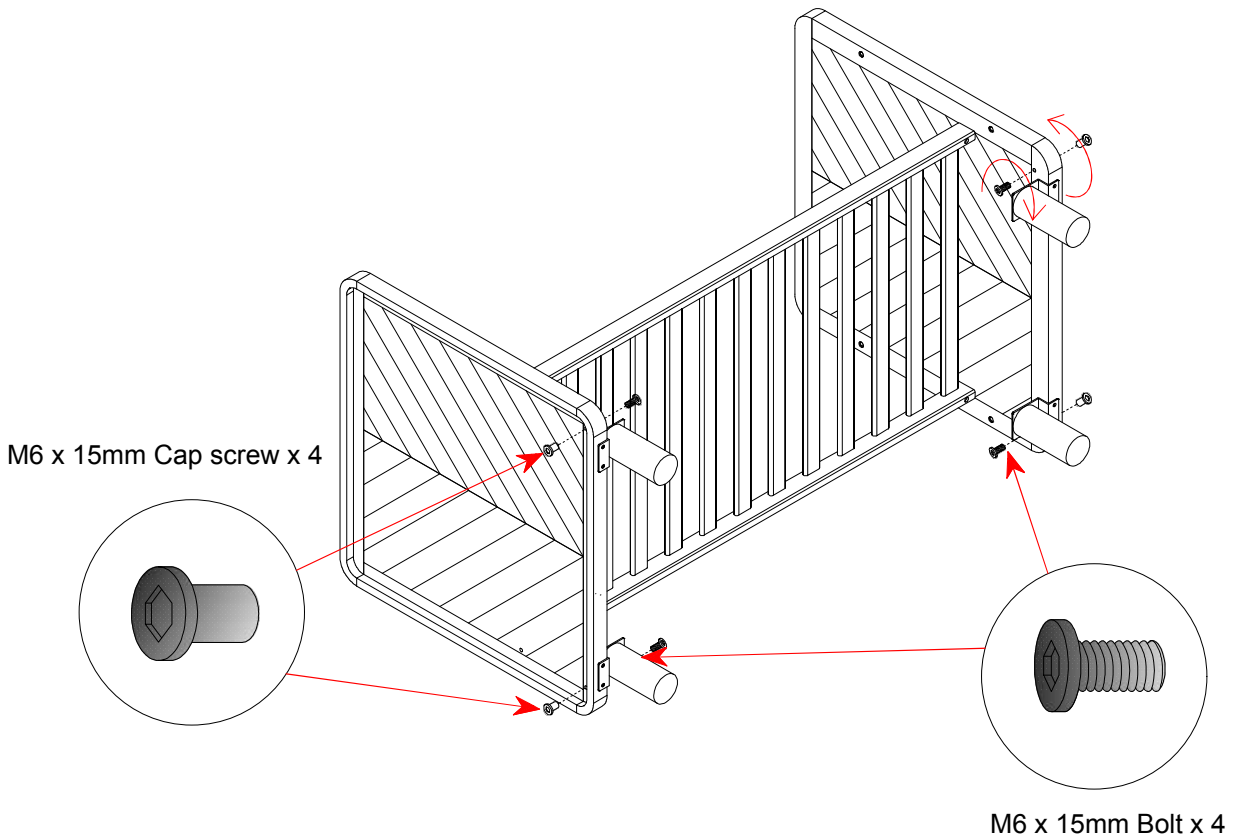
Connect the legs on the brackets secure with M6 x 15mm bolts.



3 Connect the base to headboard secure with M6 x 60mm bolts and metal cross dowels.

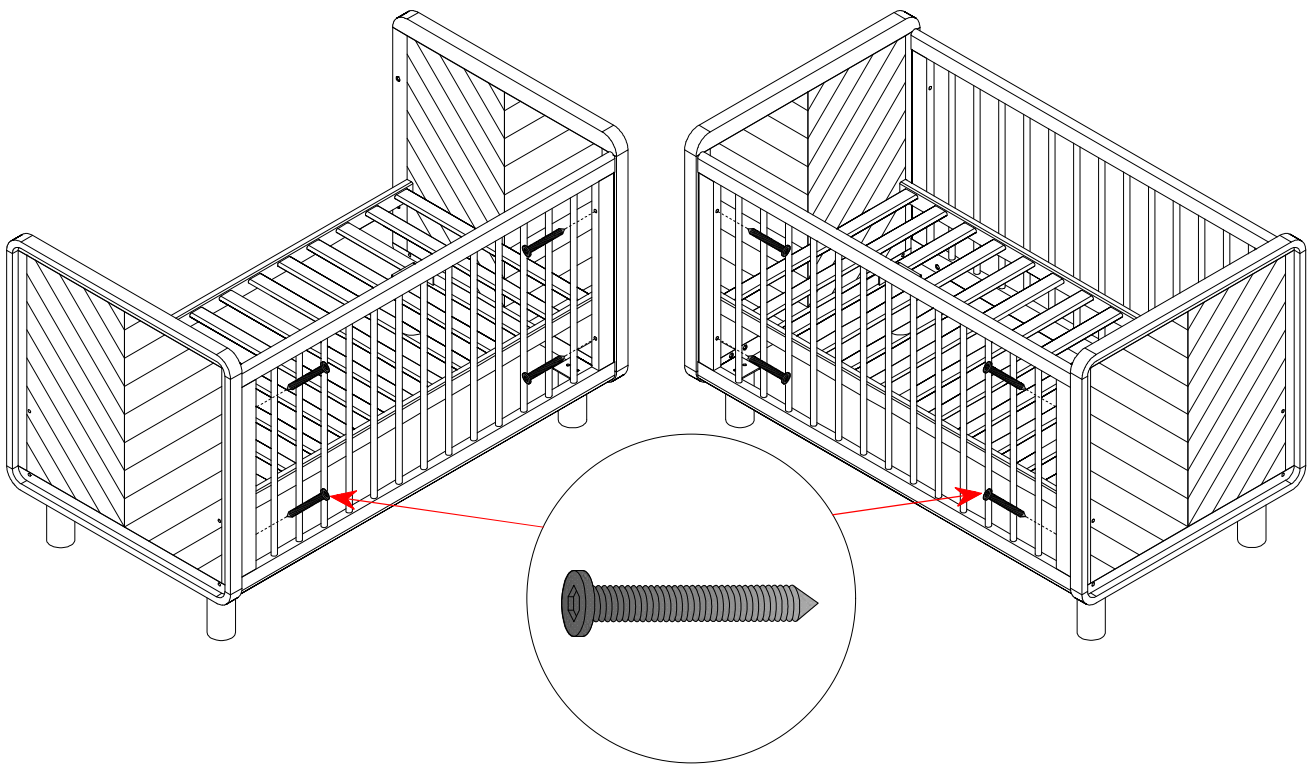


4 Fix M6 x 15mm bolts and cap screws to unused holes.



5

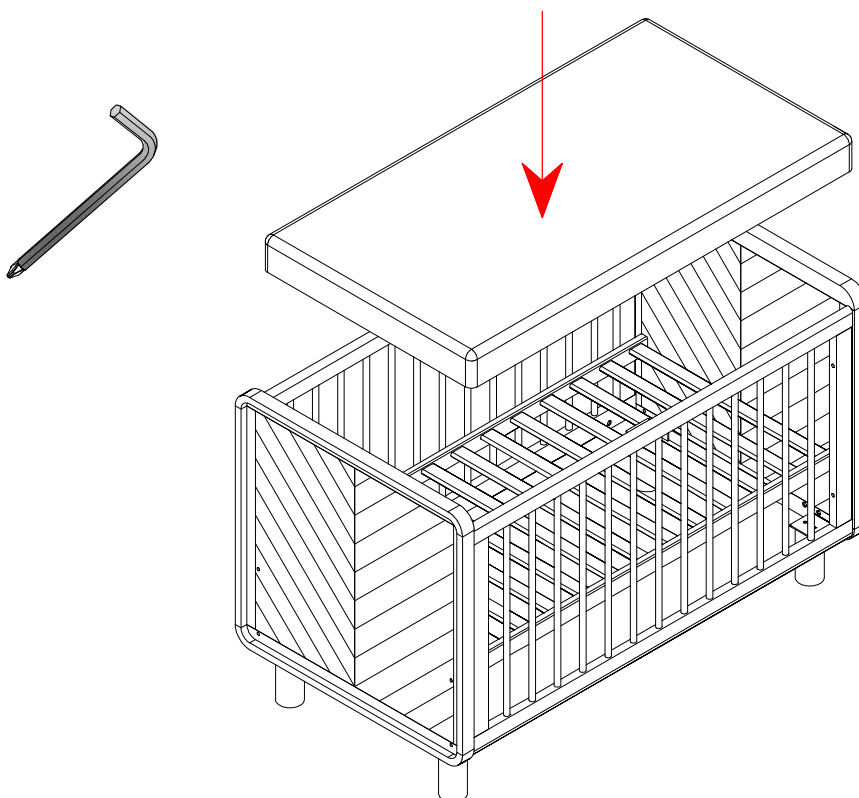
Connect side panels to headboards secure with M6 x 70mm bolts.



M6 x 70mm Bolt x 8

6

Check all the bolts and screws are tighten but do not over tighten. Insert the recommended mattress and cot is completed.



tasman ECO

FURNITURE FOR LIFE

Guarantee & Warranty

Our goods come with guarantees that cannot be excluded under the Australian Consumer Law. You are entitled to a replacement or refund for a major failure and for compensation for any other reasonably foreseeable loss or damage. You are also entitled to have the goods repaired or replaced if the goods fail to be of acceptable quality and the failure does not amount to a major failure. The guarantee described below is in addition to the guarantee provided by law.

2 YEAR MATERIALS AND WORKMANSHIP GUARANTEE

If within 2 years of the date of purchase of this product, there is found any defect in materials or workmanship of this product, Tasman Eco Pty Ltd will replace the product free of charge, subject to the condition below:

The replacement product will be identical to the originally purchase product wherever possible, though in situations where the identical model is discontinued or out of stock, then Tasman Eco Pty Ltd will replace the product with a model that is functionally equivalent

This Guarantee is made to the purchaser and/or original owner only. For purposes of this Guarantee, the original owner is considered to be the person who first makes use of the product.

Note: In situations where a person purchases this product for the purpose of gifting to another, the recipient is considered to be the original owner.

CONDITIONS:

The 2 Year Material and Workmanship Guarantee will be void and nullified in circumstances where:

- 1.The item is improperly assembled or adjusted and or not assembled strictly in accordance with the written instructions provided by the seller in the box containing the item.
- 2.There is damage to the product and that damage is deemed by Tasman Eco Pty Ltd to be caused by incorrect assembly, misuse or by use or storage outside of the physical or environmental specifications of the product.
- 3.There are modifications to the product or to parts of the product that were not authorized in writing by Tasman Eco Pty Ltd.
- 4.The item is transferred, gifted or disposed of by the original owner to another.

WARRANTY CLAIM PROCEDURE:

For warranty claims, please email us via our claims section on our website www.tasmaneco.com.au or visit the store where the product was purchased.

The product must be returned to Tasman Eco Pty Ltd or to the place of purchase with proof of purchase, including date and purchase price.

Tasman Eco Pty Ltd ABN. 58 106 988 578
4-6 Merryvale Rd , Minto , NSW 2566
PH: 02 9603 5000 FAX: 02 9603 7000
www.tasmaneco.com.au
Email: services@tasmaneco.com.au